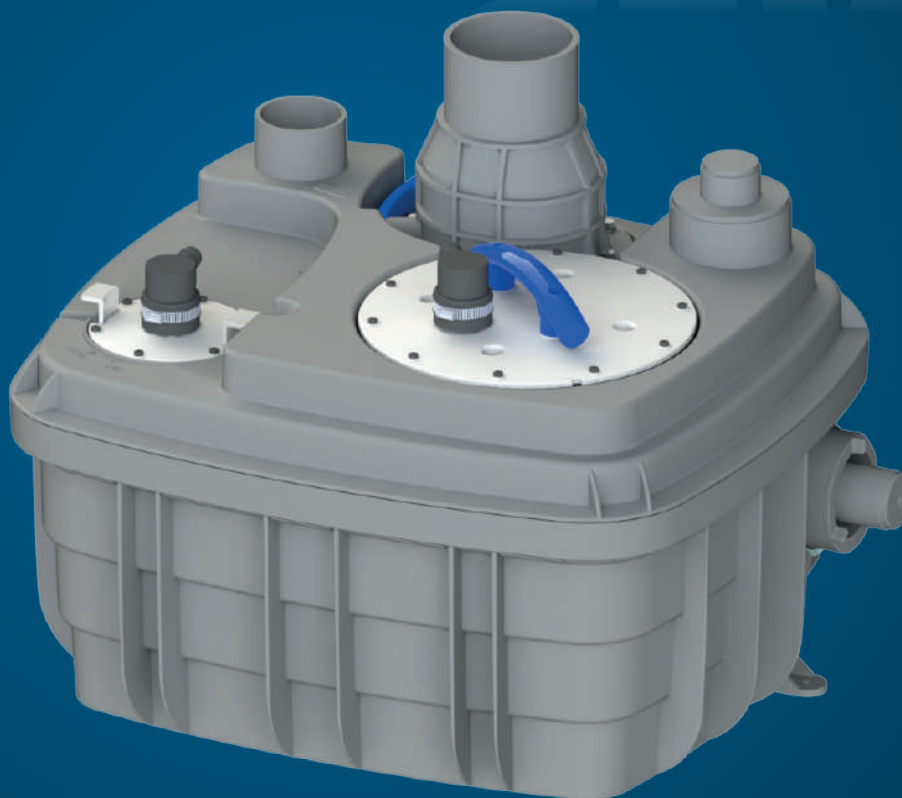


**CUBIC 1 VX**

172

11.18

# SFA



## SANICUBIC® 1 VX

FR NOTICE D'INSTALLATION

UK INSTALLATION INSTRUCTIONS

DE INSTALLATIONSHINWEISE

IT STRUZIONI PER L'INSTALLAZIONE

ES MANUAL DE INSTALACIÓN

PT MANUAL DE INSTALAÇÃO

NL INSTALLATIE VOORSCHRIFTEN

SE INSTALLATIONSANVISNING

DK INSTALLATIONSVEJLEDNING

NO INSTALLASJONSANVISING

FI ASENNUSOHJEET

HU FELSZERELÉSI ÉS KEZELÉSI ÚTMUTATÓ

PL INSTRUKCJA INSTALACJI

RU ИНСТРУКЦИЯ ПО МОНТАЖУ И ЭКСПЛУАТАЦИИ

RO MANUAL DE INSTALARE

CZ NÁVOD K INSTALACI A POUŽÍVÁNÍ

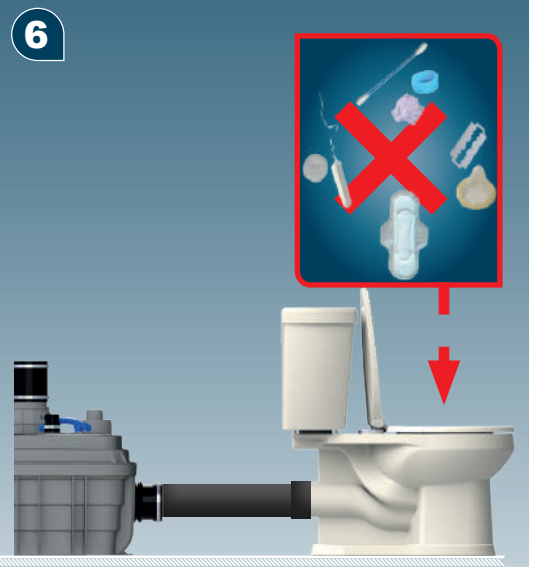
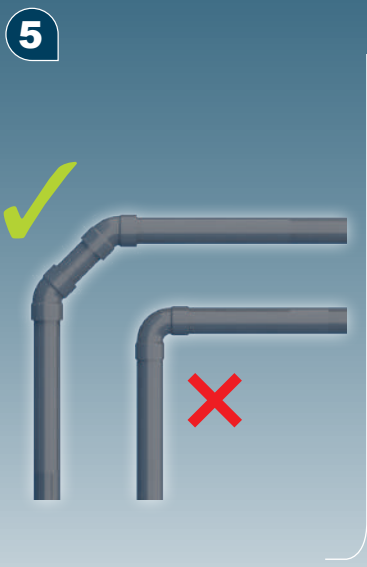
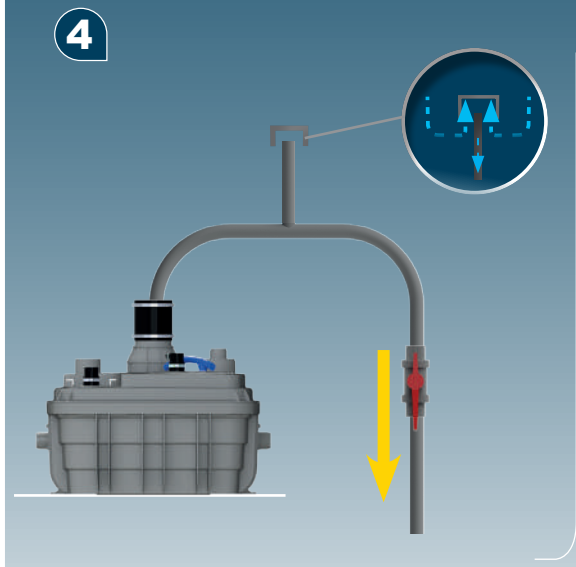
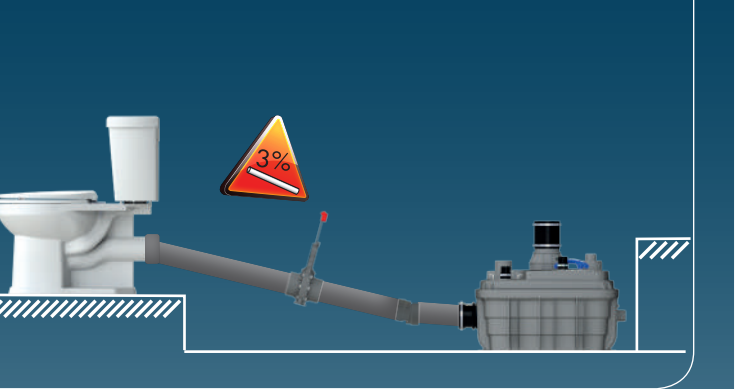
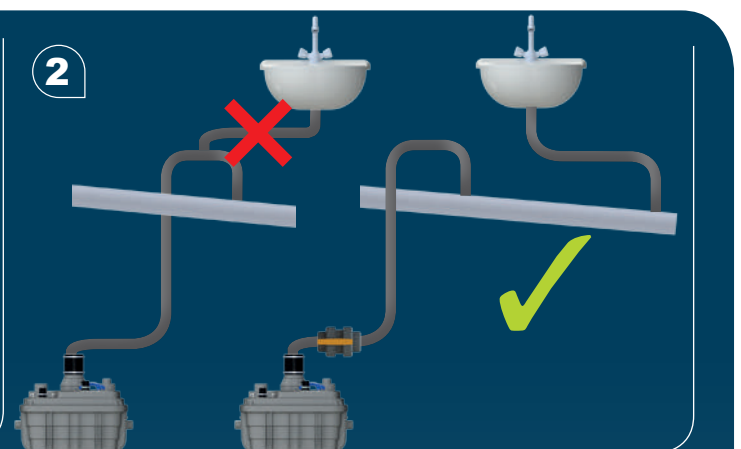
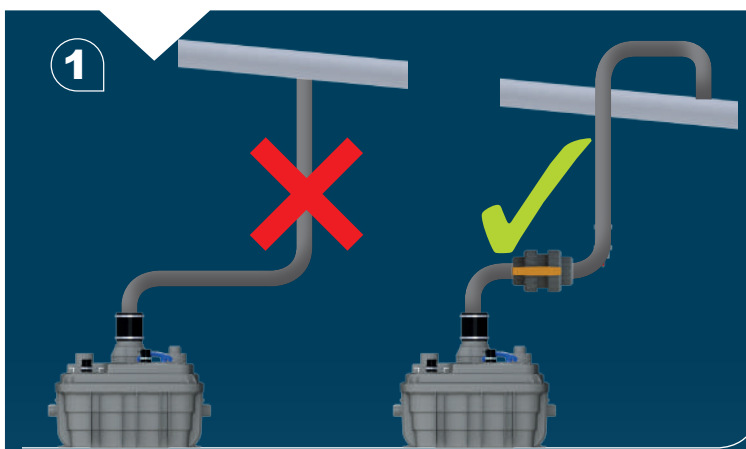
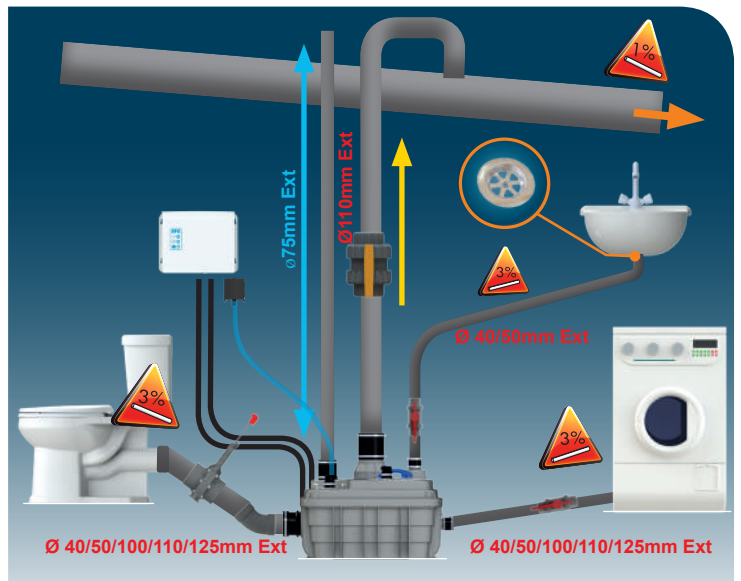
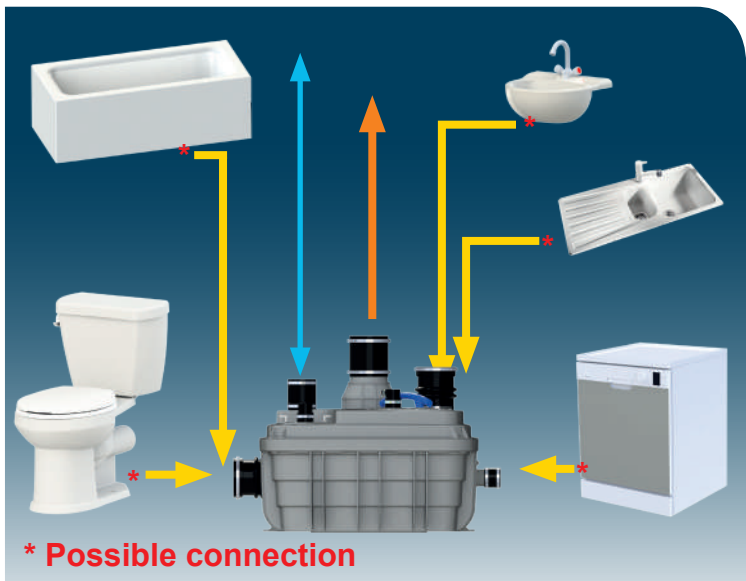
TR KURULUM KILAVUZU

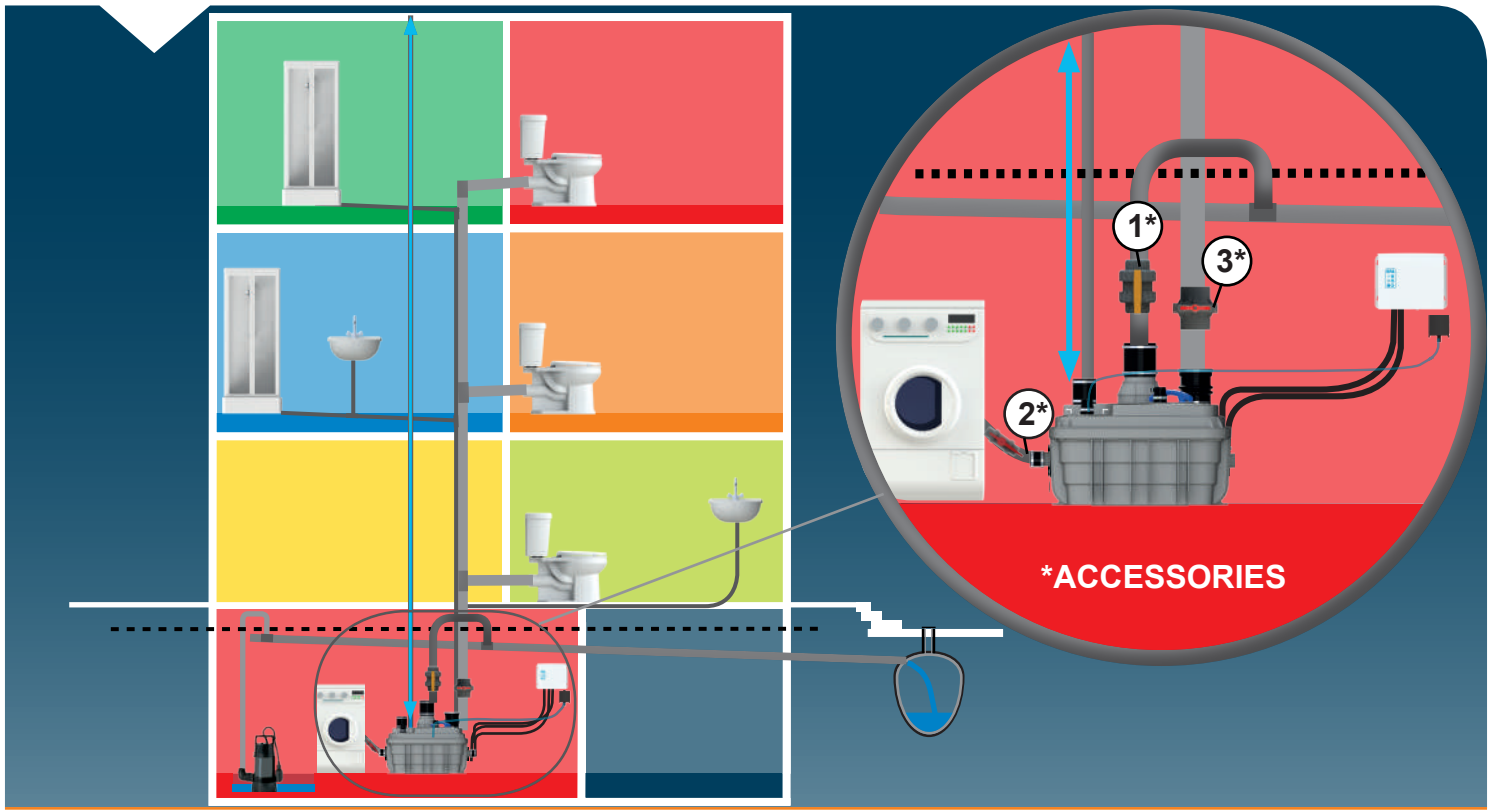
EL ΟΔΗΓΙΕΣ ΕΓΚΑΤΑΣΤΑΣΗΣ

CN 指南以备用

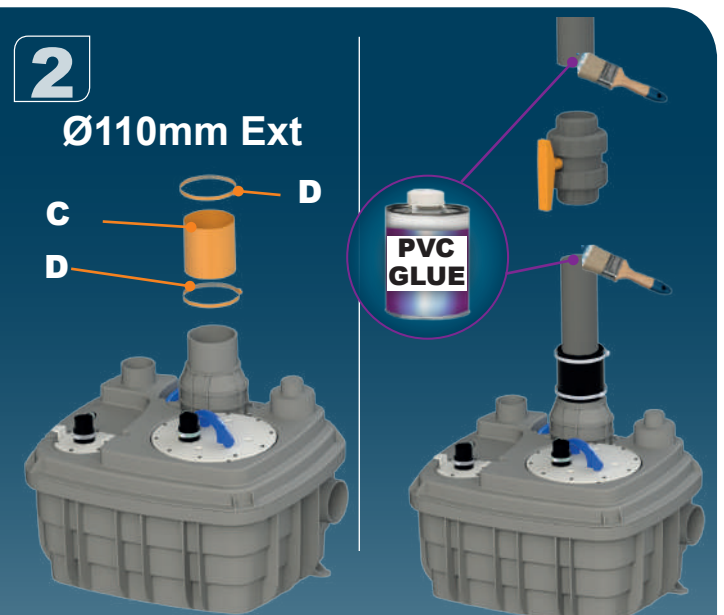
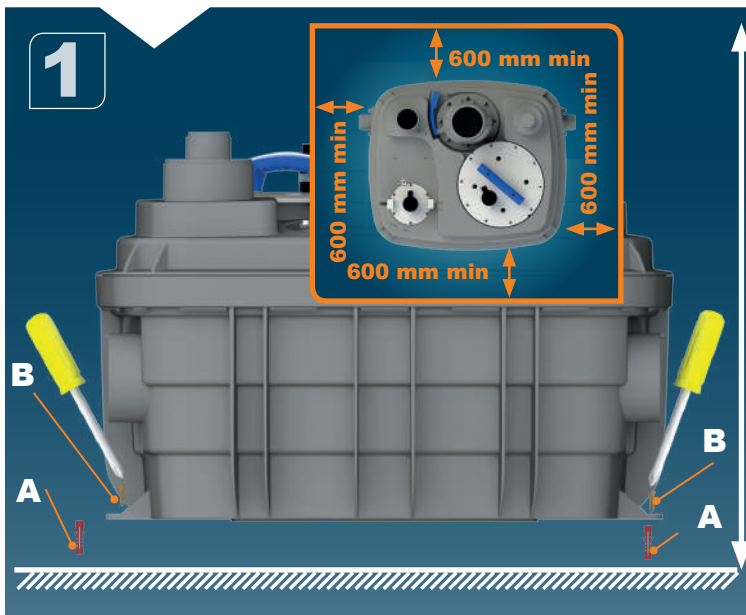
KR 설치내용서

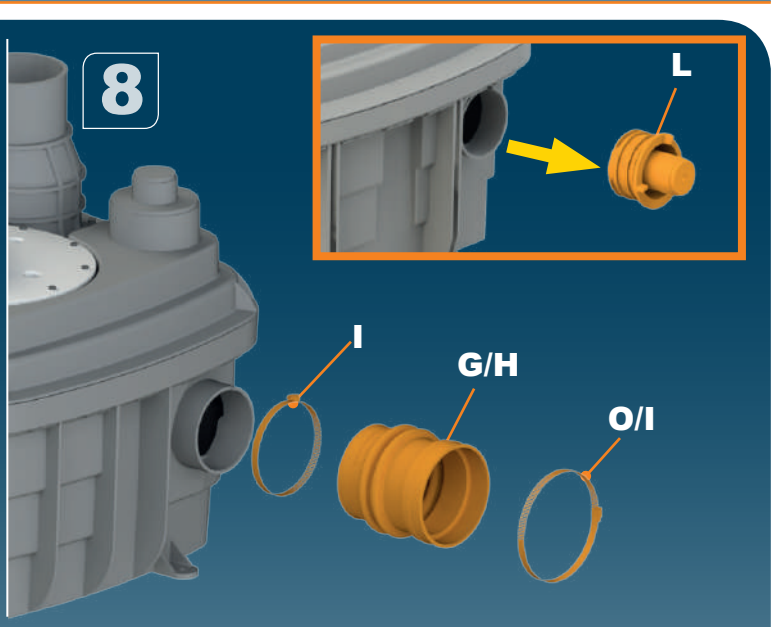
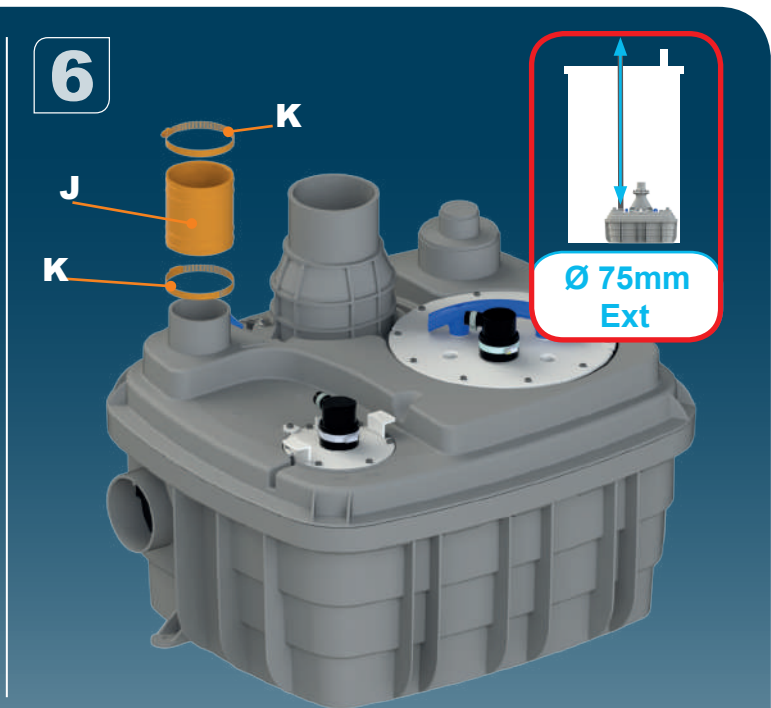
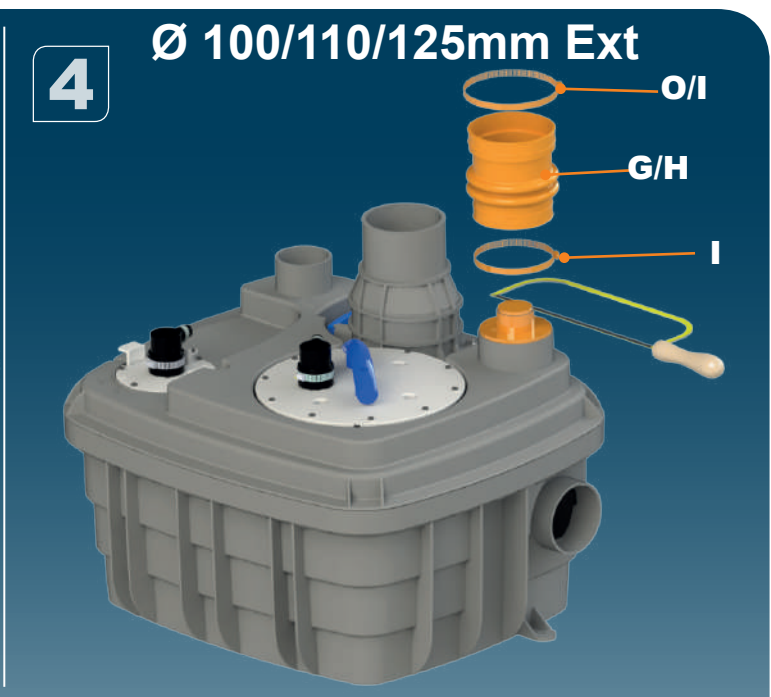
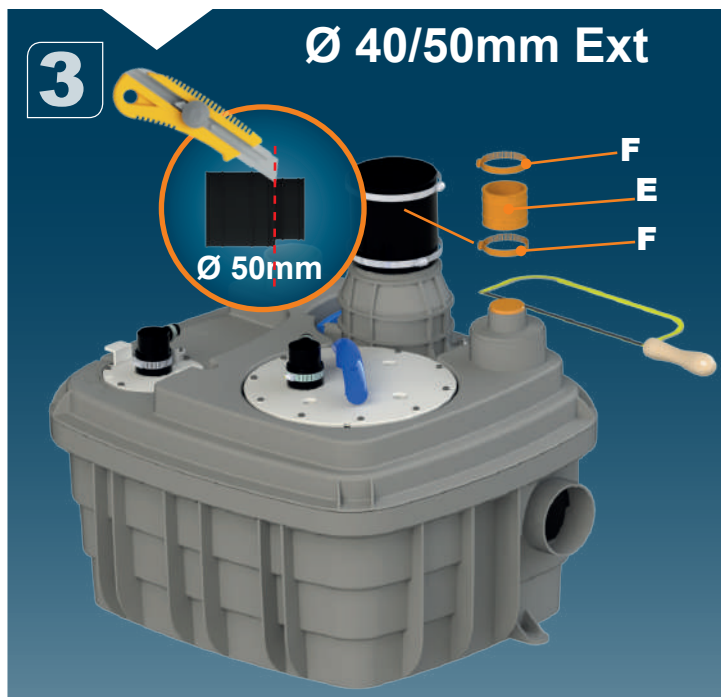
CE



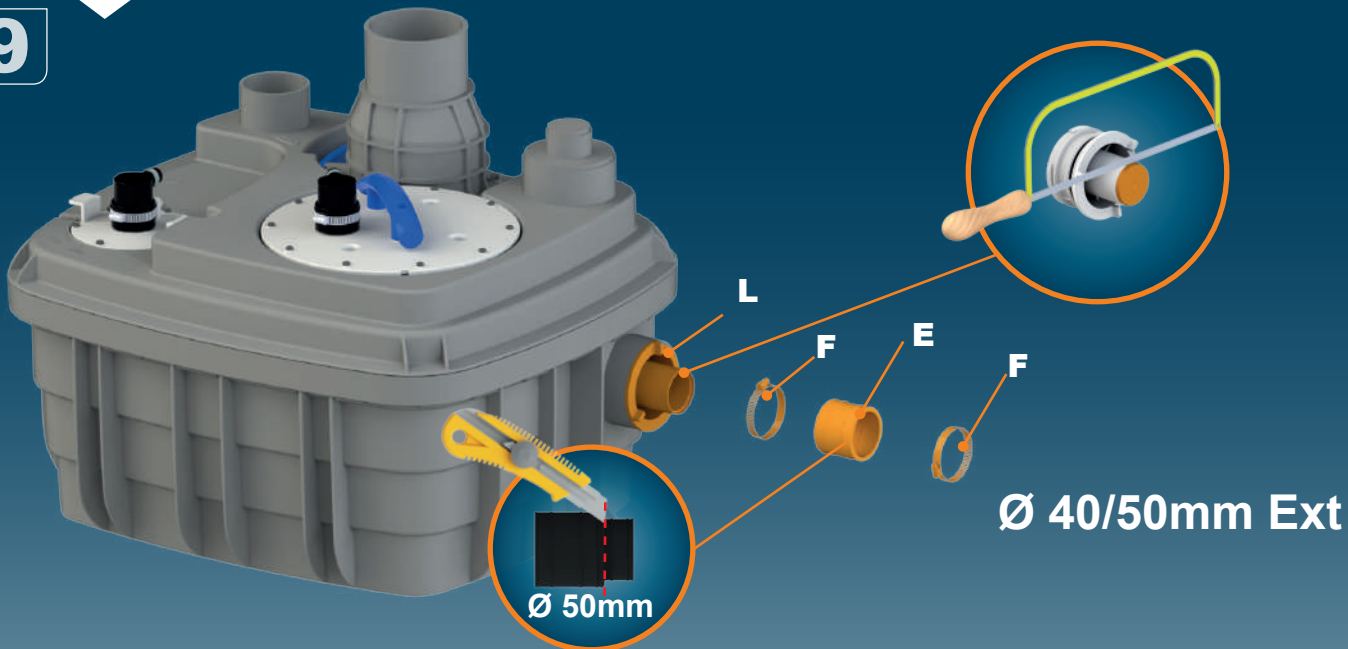


<b>A</b> x2	<b>B</b> x2	<b>C</b> x1 Ø110mm	<b>D</b> x2 118x126mm	<b>E</b> x4 Ø40/50mm	<b>F</b> x8 40x60
<b>G</b> x1 Ø100/110/125mm	<b>H</b> x2 Ø100/110	<b>I</b> x4 100/120	<b>J</b> x1 Ø75mm	<b>K</b> x2 80x100	<b>L</b> x2
<b>M</b> x1	<b>N</b> x1	<b>O</b> x1 120/140			

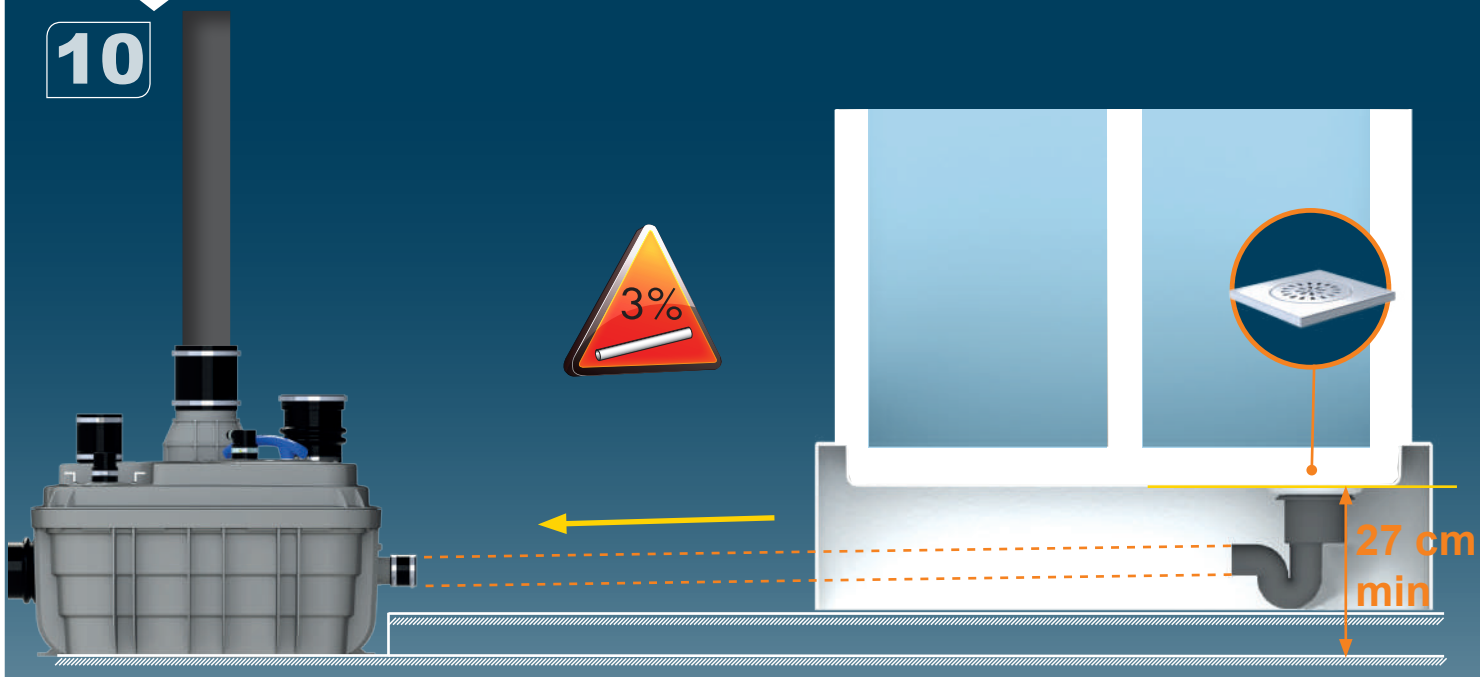




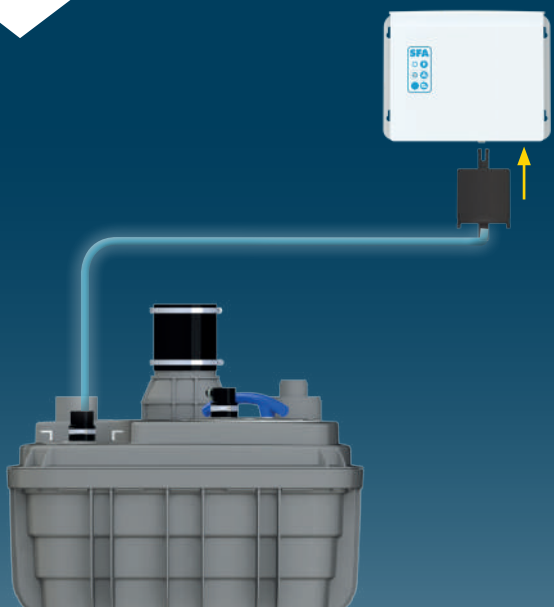
9



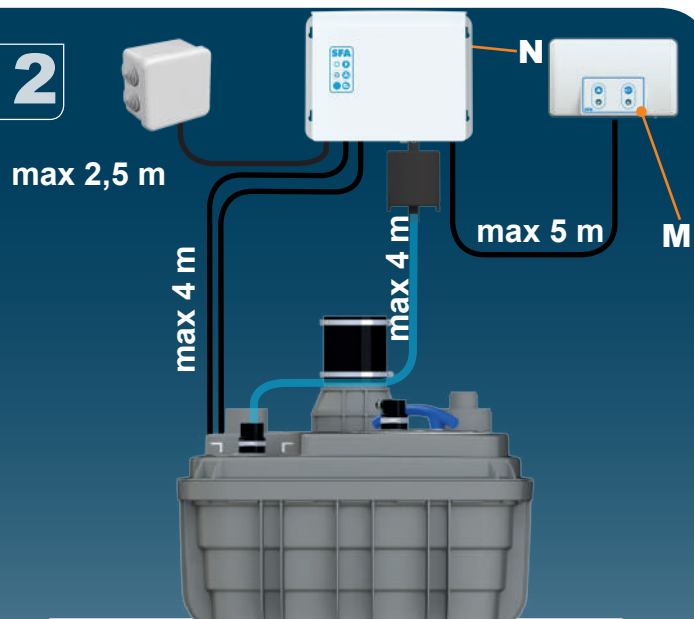
10

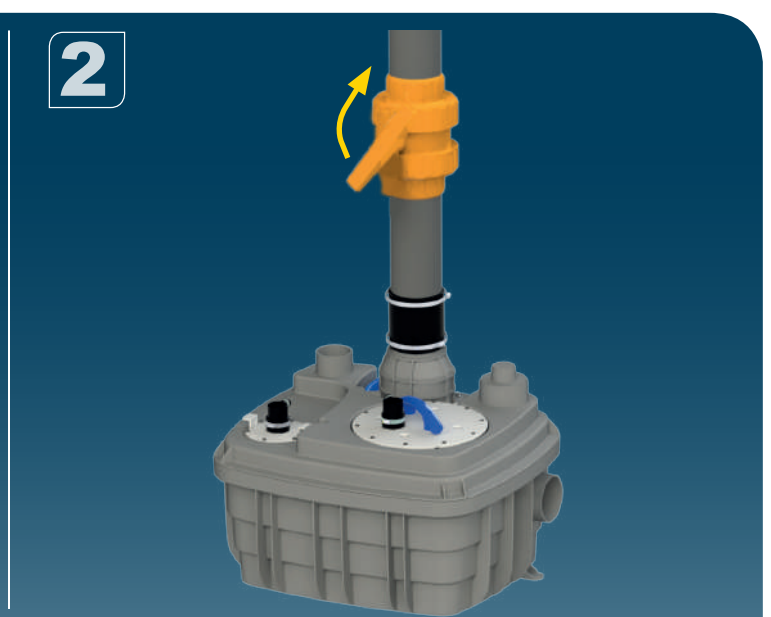
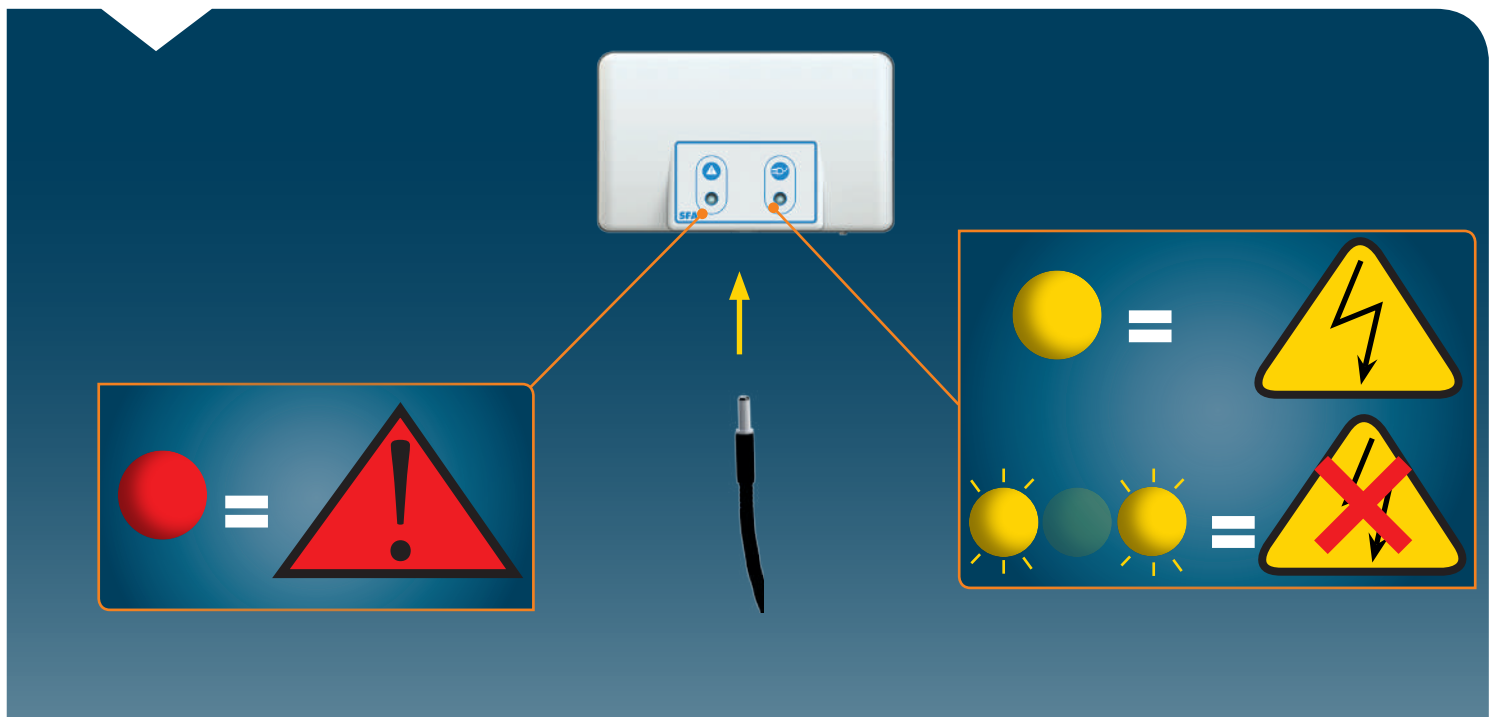
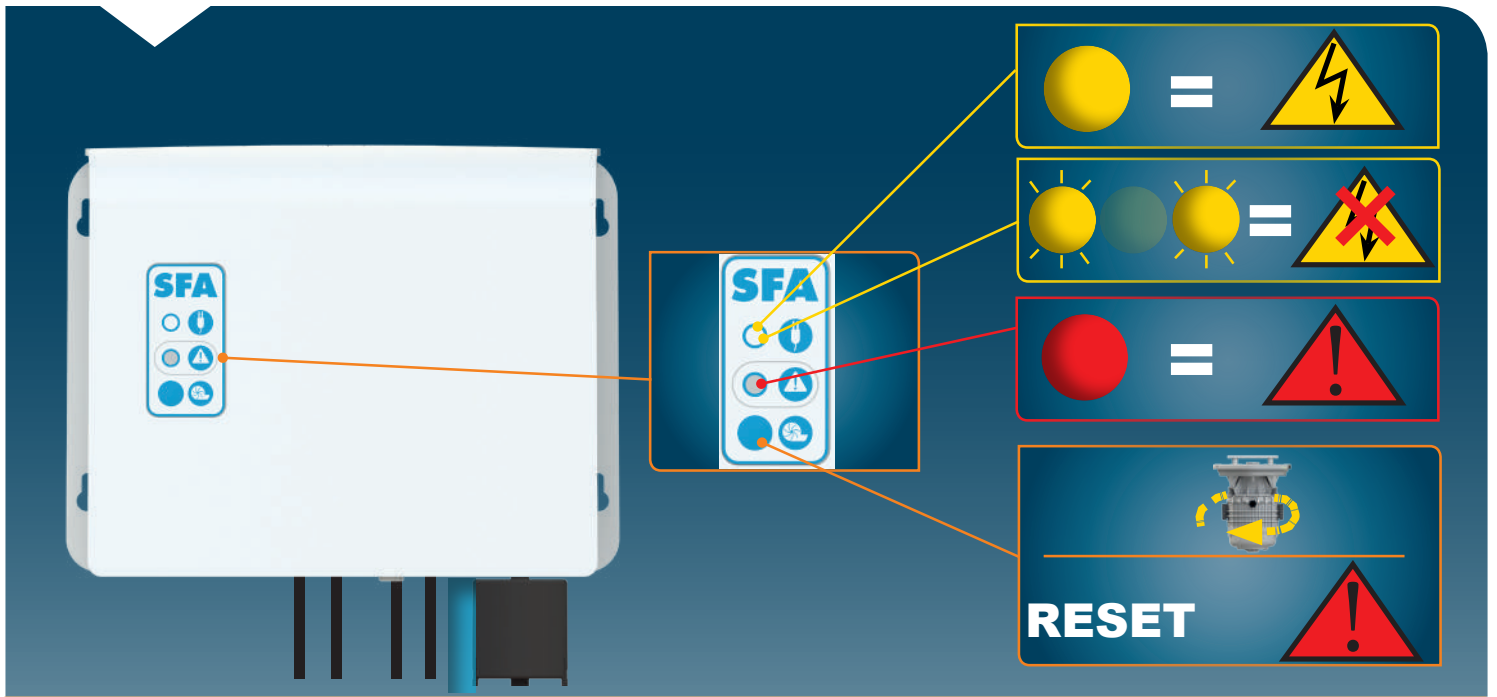


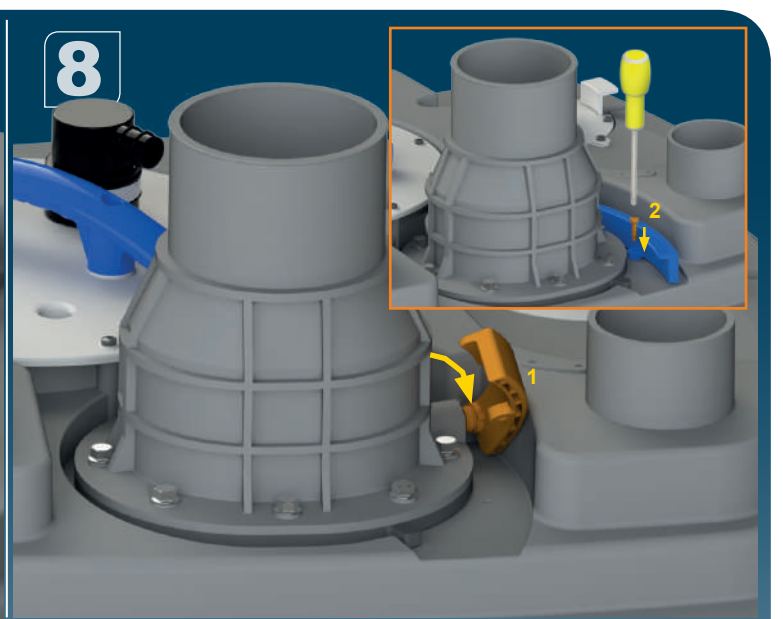
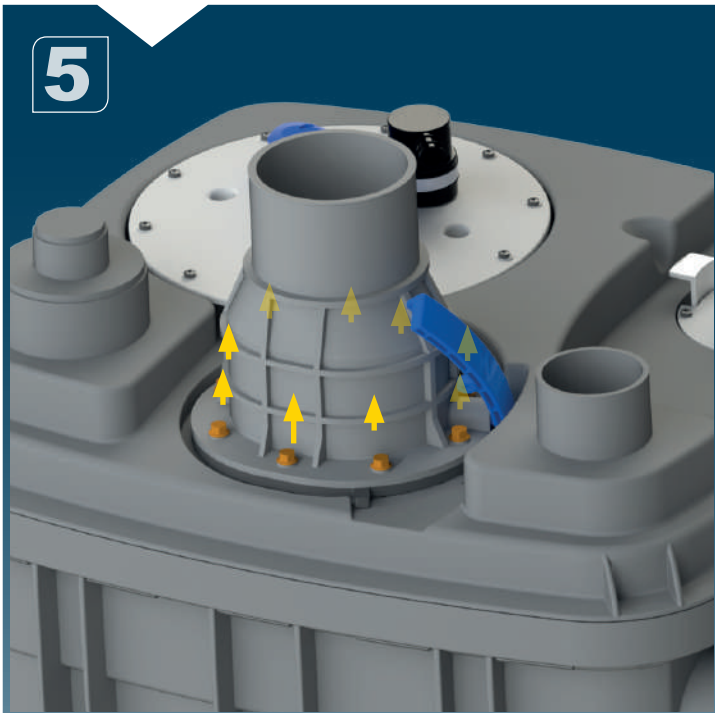
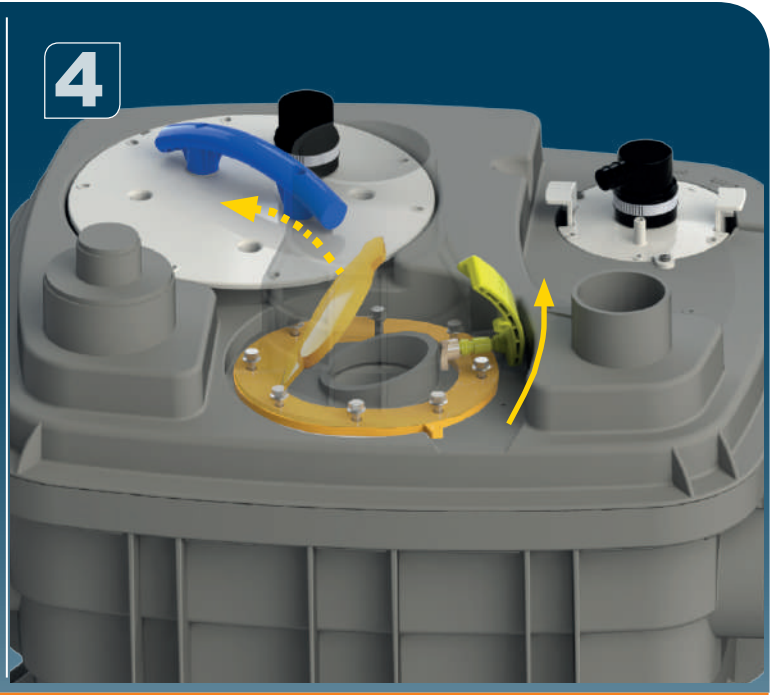
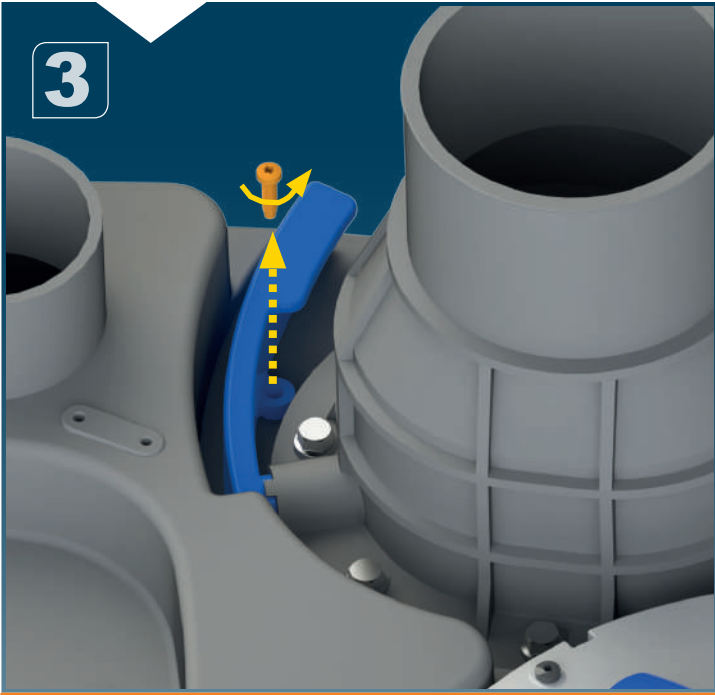
11

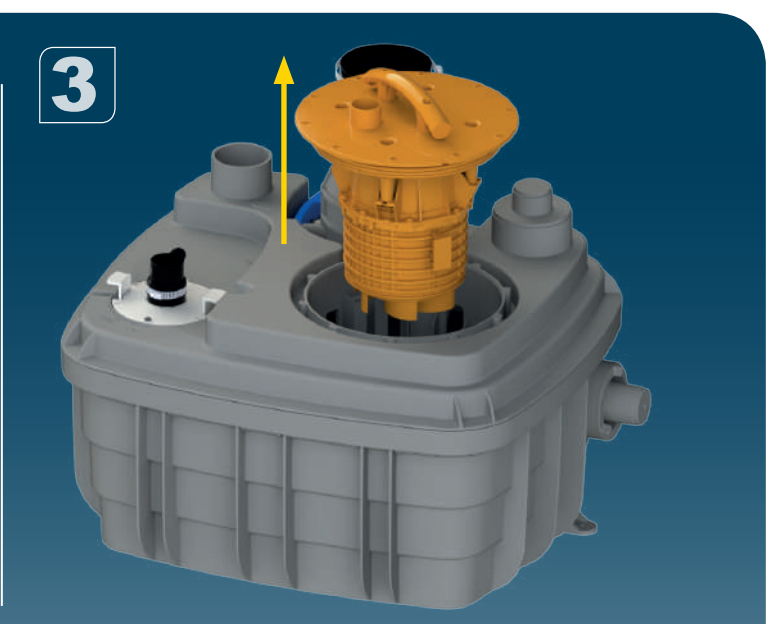
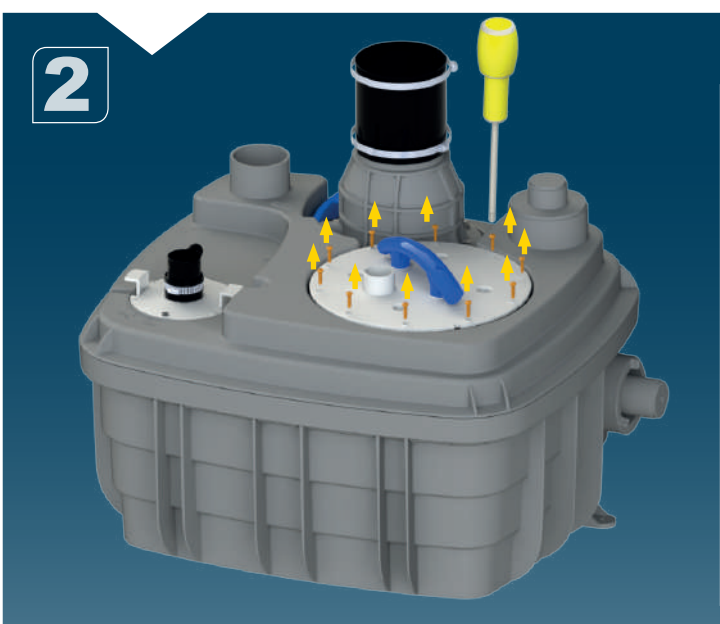
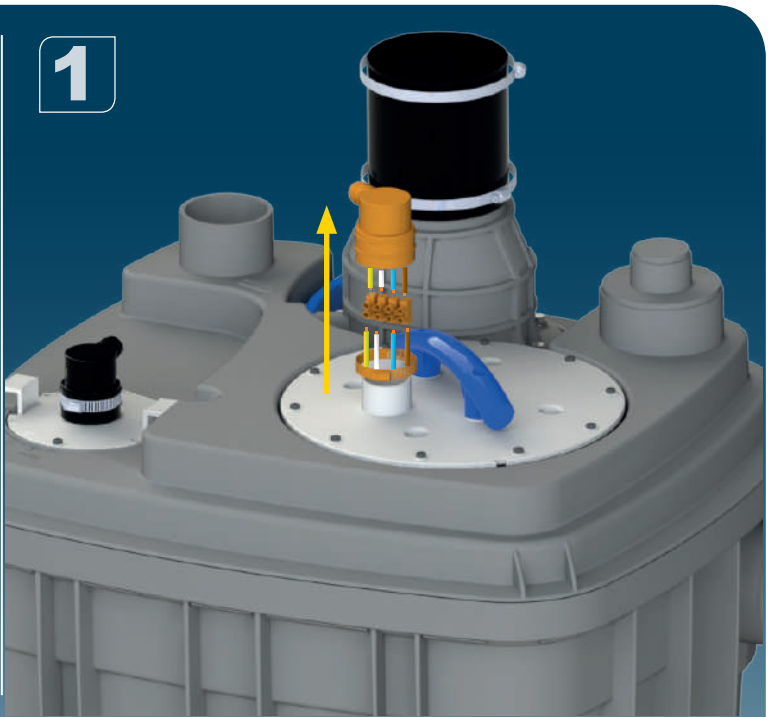
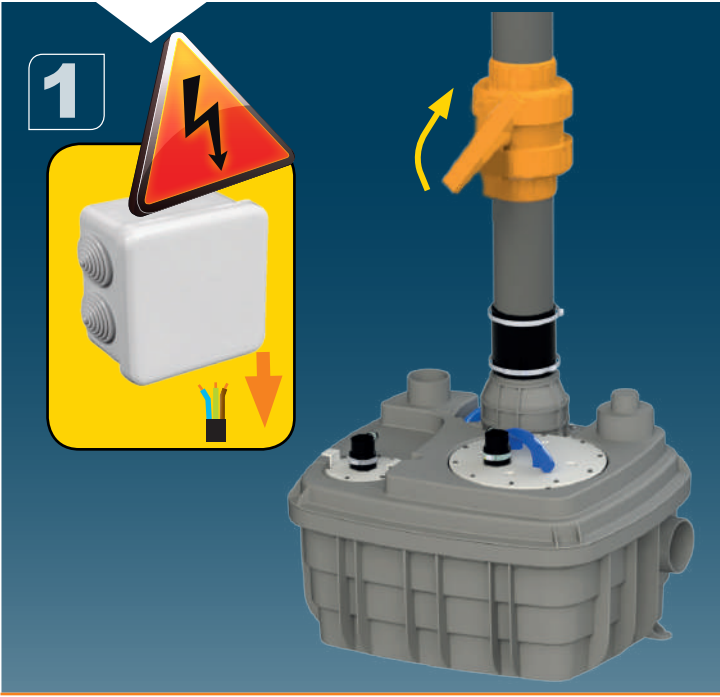


12









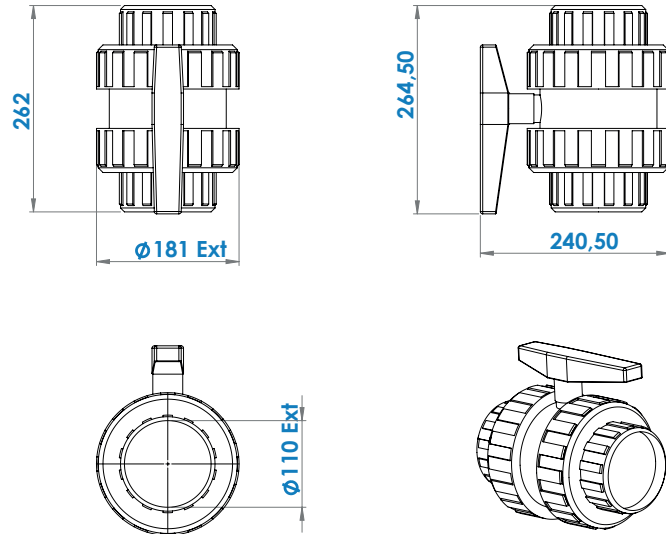


# ACCESSORIES OPTION

1



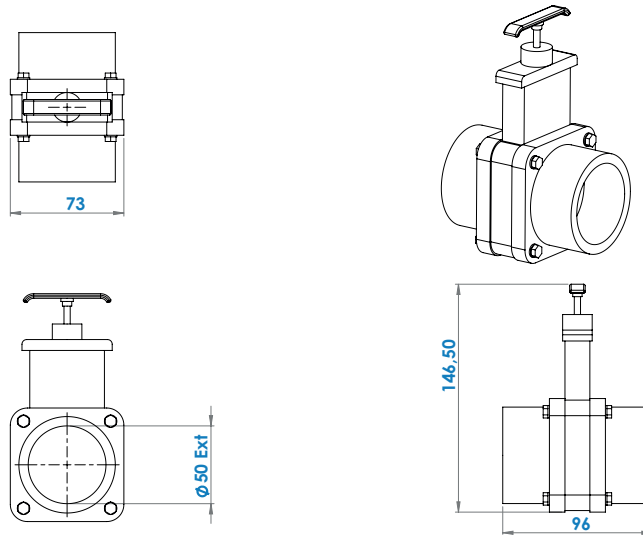
**Ø110mm Ext**  
For discharge pipe



2



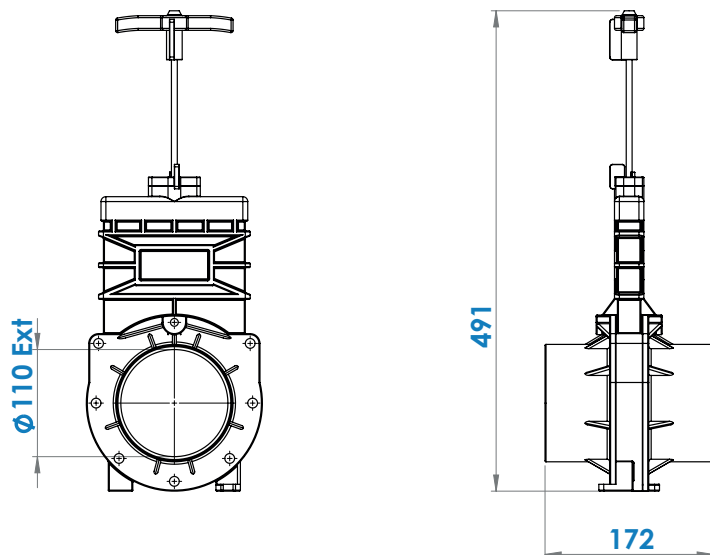
**Ø50mm Ext**  
For inlet pipe

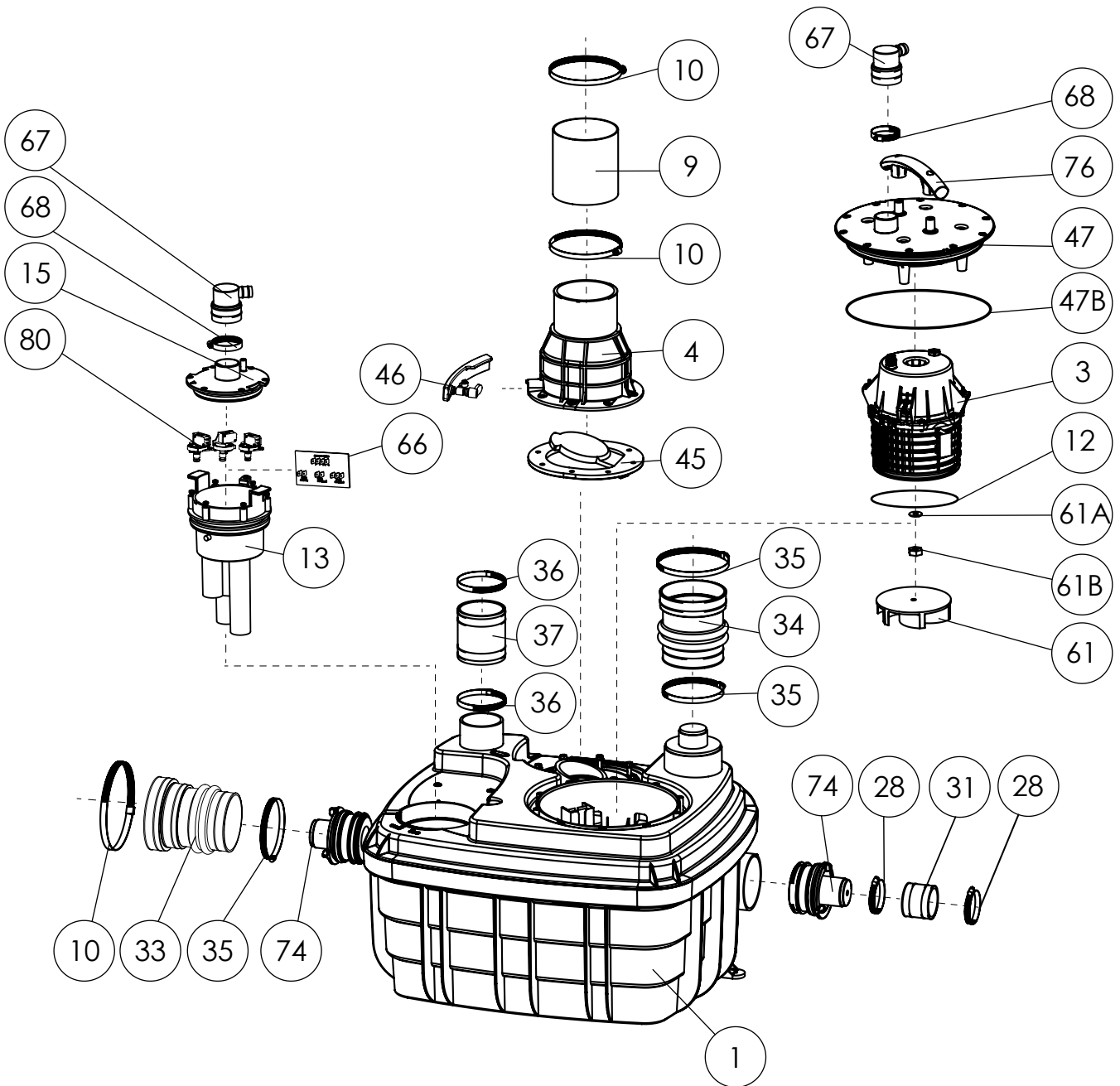
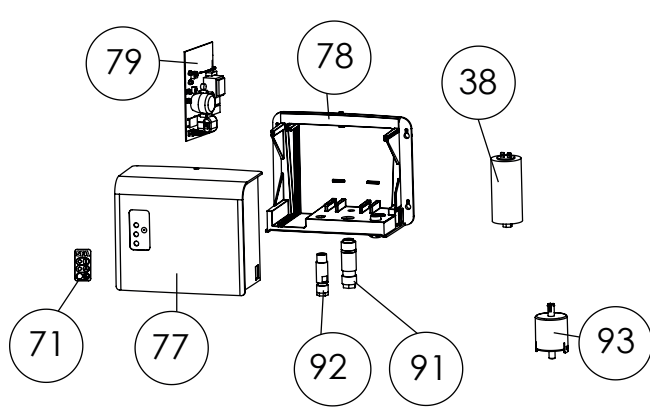
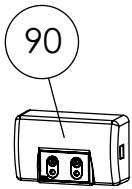


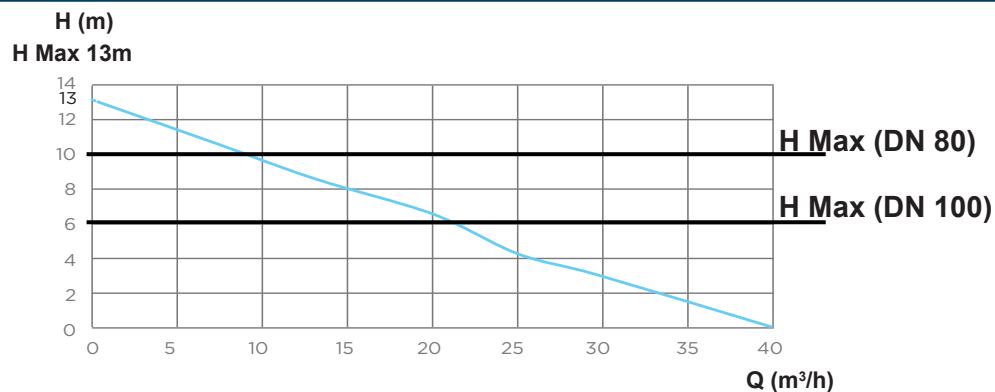
3



**Ø 100mm  
or 110mm Ext.**  
For inlet pipe

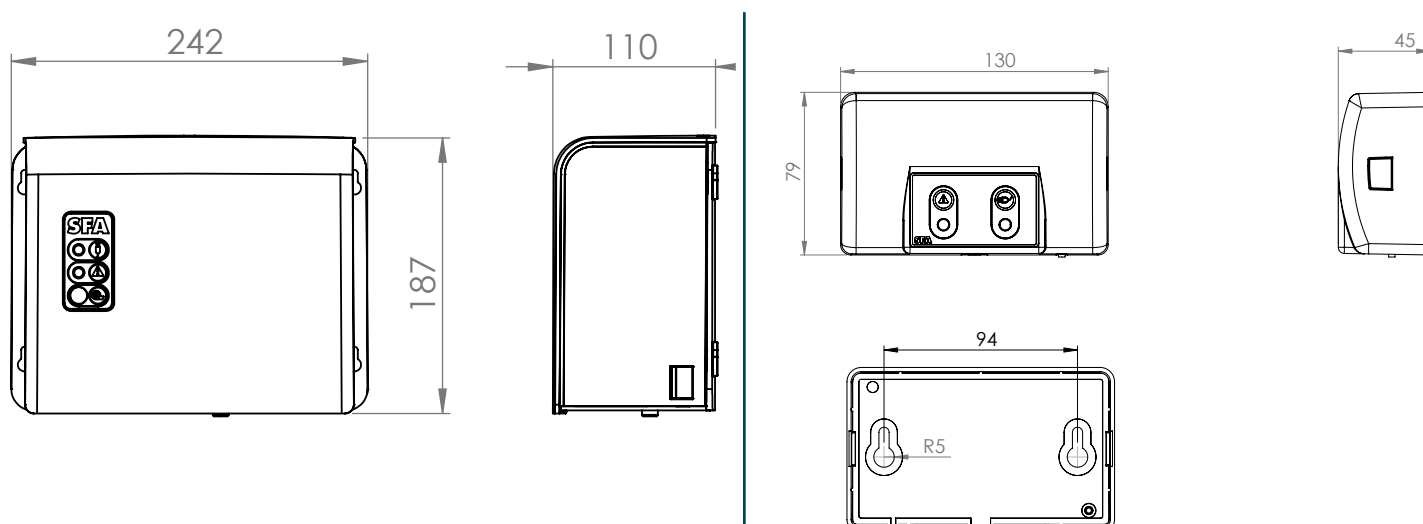


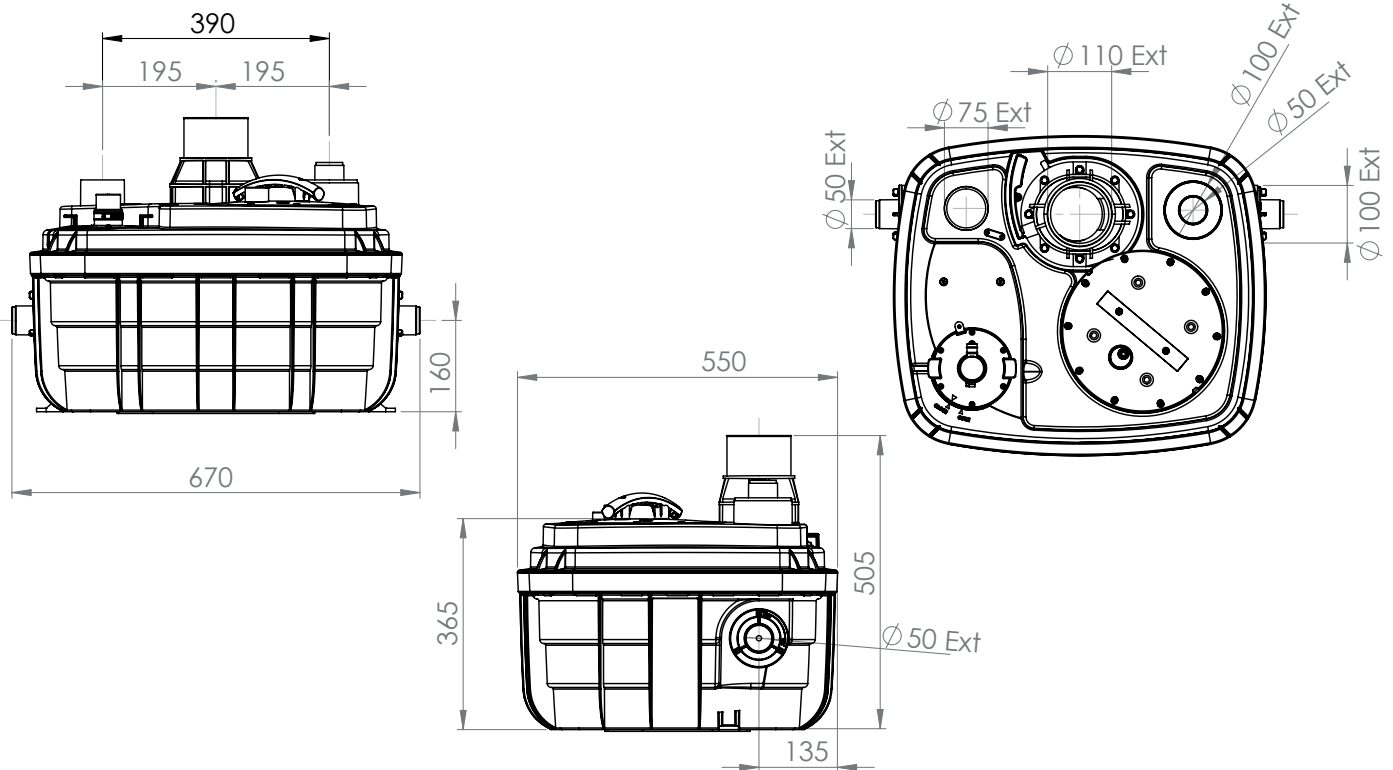




## SANICUBIC 1 VX EN 12050-1

Data specifications	
Type of current	1 phase
Voltage	220-240V
Frequency	50-60 Hz
Motor rating	2 kW
Current	8 A
Cable (4m) sensor - control box	H07RN-F 3X1,5
Cable (4m) engine - control box	H07RN-F 4G1,5
Cable (2,5m) Power supply cable	H07RN-F 3G1,5
Protection code	Station: IP68, control box: IPX4
Max. discharge height (Q=0m <sup>3</sup> /h)	13 m
Max. flow rate	40 m <sup>3</sup> /h
Max temperature	35°C (70°C , 5 min)
Free passage	50 mm
Tank volume	60 L
Useful volume	21 L
ON / OFF level activation	165 mm /65 mm
ON alarm activation	235 mm
Weight including accessories	30 kg
Discharge	Øext 110 mm
Inlet	Øext 125,110,100,50,40 mm
Ventilation	Øext 75 mm





#### FRANCE

**SOCIÉTÉ FRANÇAISE D'ASSAINISSEMENT**  
41 bis avenue Bosquet - 75007 Paris  
Tél. +33 1 44 82 39 00  
Fax +33 1 44 82 39 01

#### UNITED KINGDOM

**SANIFLO Ltd.**,  
Howard House, The Runway  
South Ruislip Middx.,  
HA4 6 SE  
Tel. +44 208 842 0033  
Fax +44 208 842 1671

#### IRELAND

**SANIRISH Ltd**  
IDA Industrial Estate  
Edenderry - County Offaly  
Tel. + 353 46 9733 102  
Fax + 353 46 97 33 093

#### AUSTRALIA

**SANIFLO (Australasia) Pty Ltd**  
Unit 9/10, 25 Gibbes Street  
Chatswood NSW 2067  
Tel. +61 298 826 200  
Fax +61 298 826 950

#### DEUTSCHLAND

**SFA SANIBROY GmbH**  
Waldstr. 23 Geb. B5 - 63128  
Dietzenbach  
Tel. (060 74) 30928-0  
Fax (060 74) 30928-90

#### ITALIA

**SFA ITALIA spa**  
Via del Benessere, 9  
27010 Sizzano (PV)  
Tel. 03 82 61 81  
Fax 03 82 61 8200

#### ESPAÑA

**SFA S.L.**  
C/ Vinyalets,1 - Pl. Can Vinyalets  
08130 Sta. - Perpètua de Mogoda - Barcelona  
Tel. +34 93 544 60 76  
Fax +34 93 462 18 96

#### PORTUGAL

**SFA, Lda.**  
Sintra Business Park, ed.01-1ºP2710-089 SINTRA  
Tel. +35 21 911 27 85  
Fax +35 21 957 70 00

#### РОССИЯ

**SFA РОССИЯ**  
101000 Москва - Колпачный переулок 9а  
Тел. (495) 258 29 51  
Факс. (495) 258 29 51

#### SUISSE SCHWEIZ SVIZZERA

**SFA SANIBROY AG**  
Vorstadt 4  
3380 Wangen a. A.  
Tel. + 41 (0)32 631 04 74  
Fax + 41 (0)32 631 04 75

#### BENELUX

**SFA BENELUX B.V.**  
Industrieweg 1c-d,  
6101 WS ECHT  
Tel. +31 475 487100  
Fax +31 475 486515

#### SVERIGE

**SANIFLO AB**  
BOX 797  
S-191 27 Sollentuna  
Tel. +46 (0)8-404 15 30  
info@saniflo.se

#### POLSKA

**SFA POLAND Sp. z o.o.**  
ul. Białolecka 168  
03-253 Warszawa  
Tel. (+4822) 732 00 32  
Fax (+4822) 751 35 16

#### ČESKÁ REPUBLIKA

**SFA-SANIBROY, spol. s r.o.**  
Sokolovská 445/212, 180 00 Praha 8  
Tel. +420 266 712 855  
Fax, +420 266 712 856

#### ROMANIA

**SFA SANIFLO S.R.L.**  
145B Foisorului Street District 3  
31177 BUCURESTI  
Tel. +40 256 245 092  
Fax +40 256 245 029

#### TÜRKIYE

**SFA SANIHYDRO LTD STI**  
Mecidiye Cad No:36-B Sevencan APT  
34394 MECIDIYEKÖY - ISTANBUL  
Tel. +90 212 275 30 88  
Fax, +90 212 275 90 58

#### CHINA

**SFA 中国**  
上海市静安区石门二路333弄3号振安  
广场恒安大厦27C (200041)  
Tel. +86(0)21 6218 8969  
Fax. +86(0)21 6218 8970

#### KOREA

**www.SFA.biz**  
sales@saniflo-korea.kr

#### South Africa

**Saniflo Africa (PTY) Ltd**  
Unit A6 , Spearhead Business Park  
Cnr. Freedom Way & Montague Drive  
Montague Gardens, 7441  
Tél : +27 (0) 21 286 00 28  
[www.saniflo.co.za](http://www.saniflo.co.za)

#### BRAZIL

**SFA Brasil Equipamentos Sanitários,**  
Rua Maria Figueiredo 595  
CEP 04002-003 SAO PAULO / SP  
Tel. (11) 3052-2292  
santrit@santrit.com.br

#### NEW ZEALAND

**Saniflo New Zealand Ltd**  
PO Box 383 Royal Oak,  
Auckland 1345  
Tel : 09 390 4615  
Fax : +61 2 9882 6950

### SERVICE HELPLINES

	TEL	FAX			
France	01 44 82 25 55	03 44 94 46 19	Benelux	+31 475 487100	+31 475 486515
United Kingdom	08457 650011 (Call from a land line)	020 8842 1671	Sverige	+46 (0)8-404 15 30	
Ireland	1850 23 24 25 (LOW CALL)	+ 353 46 97 33093	Norge	+46 (0)8-404 15 30	
Australia	+1300 554 779	+61.2.9882.6950	Polska	(+4822) 732 00 33	(+4822) 751 35 16
Deutschland	0800 82 27 82 0	(060 74) 30928-90	РОССИЯ	(495) 258 29 51	(495) 258 29 51
Italia	0382 6181	+39 0382 618200	Česká Republika	+420 266 712 855	+420 266 712 856
España	+34 93 544 60 76	+34 93 462 18 96	România	+40 256 245 092	+40 256 245 029
Portugal	+35 21 911 27 85	+35 21 957 70 00	Türkiye	+90 212 275 30 88	+90 212 275 90 58
Suisse Schweiz Svizzera	+41 (0)32 631 04 74	+41 (0)32 631 04 75	中国	+86(0)21 6218 8969	+86(0)21 6218 8970
			Brazil	(11) 3052-2292	

Service information : [www.sfa.biz](http://www.sfa.biz)